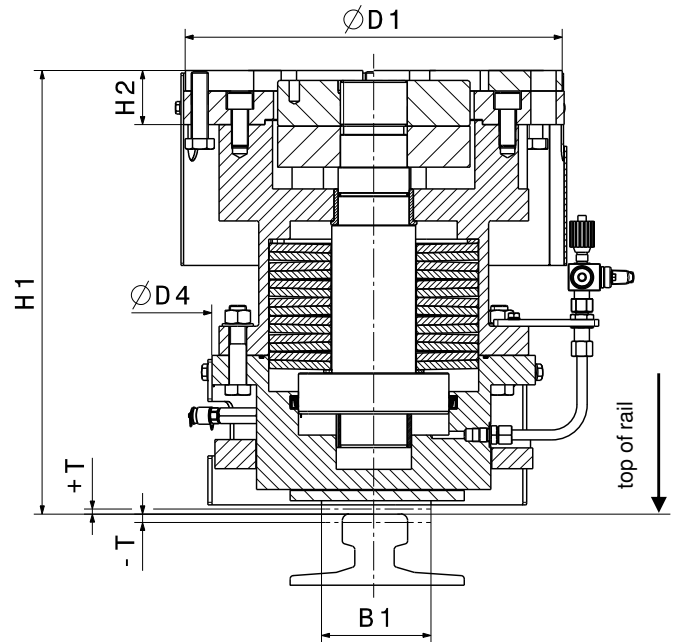
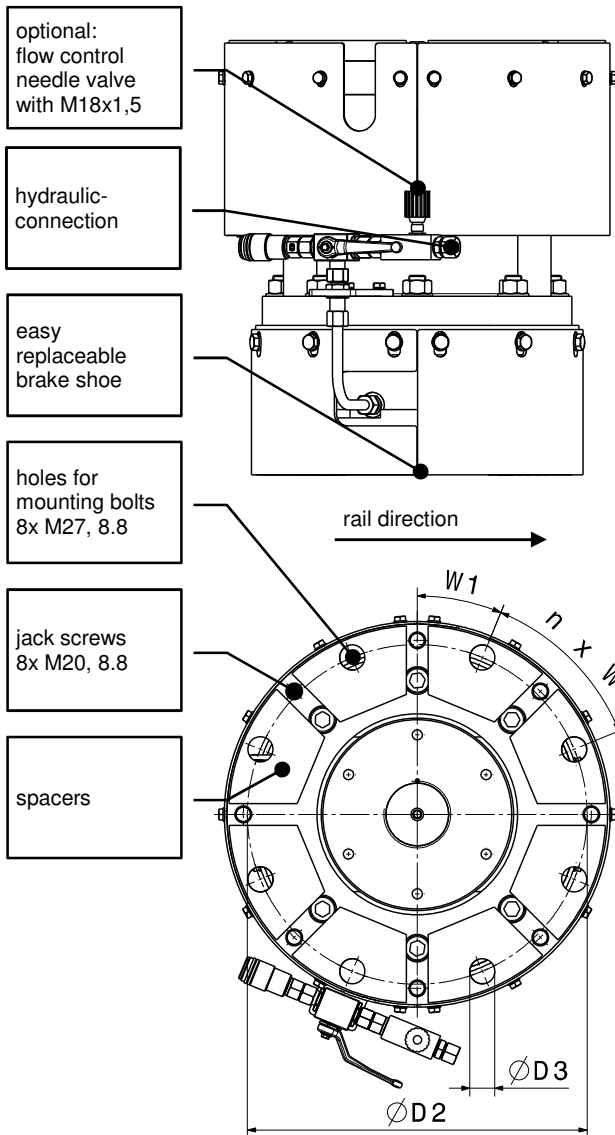


**Storm Protection RPS 200 & 300**



**Hydraulic Data**

medium: HLP-hydraulic oil DIN 51524-T2  
HLP Synth 32 standard

temperature range: (-15°C.....+40°C)

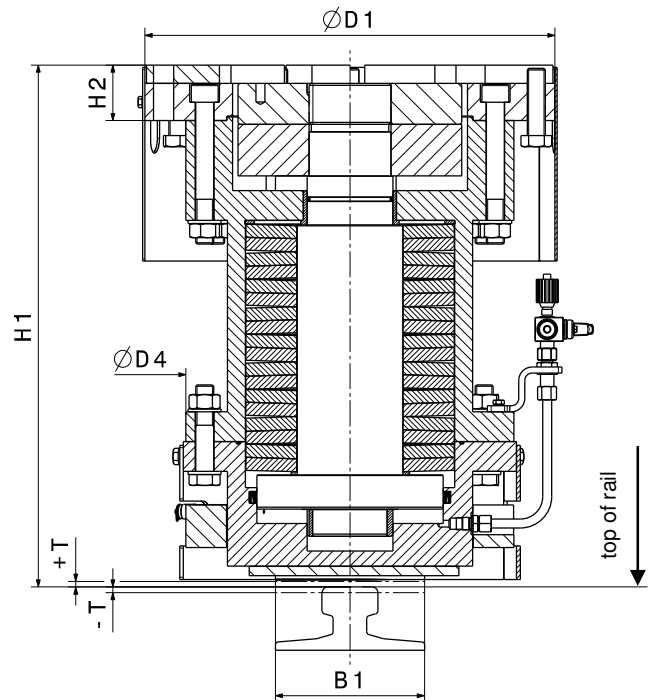
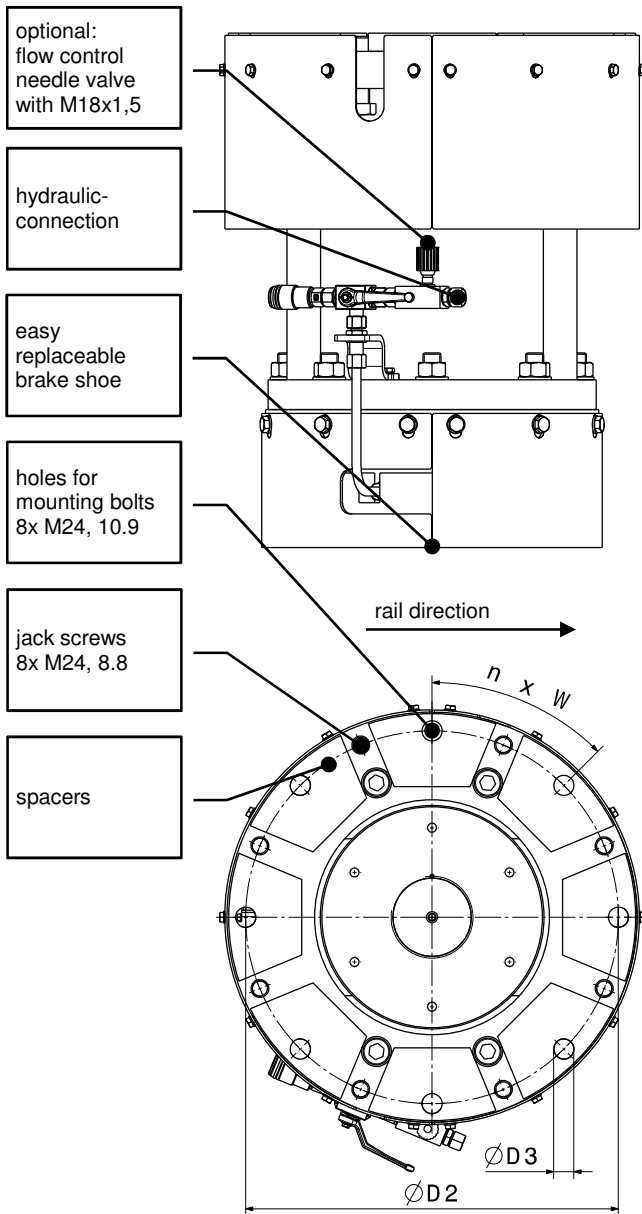
we recommend: SIBRE-hydraulic power packs  
V3.B \*) for RPS 200  
V3.C \*) for RPS 300  
with electronic control box acc.  
data sheet M 1501 264 E

\*) max. 4 brakes per power pack  
dimensional drawings upon request

type	H1 mm	H2 mm	B1 mm	+T mm	-T mm	D1 mm	D2 mm	D3 mm	D4 mm	W1	n x W
RPS 200	530	64,5	125	+9	-9	455	406	30	397	22,5°	8 x 45°
RPS 300	630	64,5	125	+9	-9	455	406	30	397	22,5°	8 x 45°

type	holding force	holding force at max. rail tolerance		release pressure	max. operating pressure	hydraulic-connection	weight
		+T	-T				
RPS 200	100 kN	120 kN	75 kN	110 bar	150 bar	3/8"	395 kg
RPS 300	160 kN	180 kN	135 kN	160 bar	205 bar	3/8"	440 kg

**Storm Protection RPS 450**



**Hydraulic Data**

medium: HLP-hydraulic oil DIN 51524-T2  
HLP Synth 32 standard

temperature range: (-15°C.....+40°C)

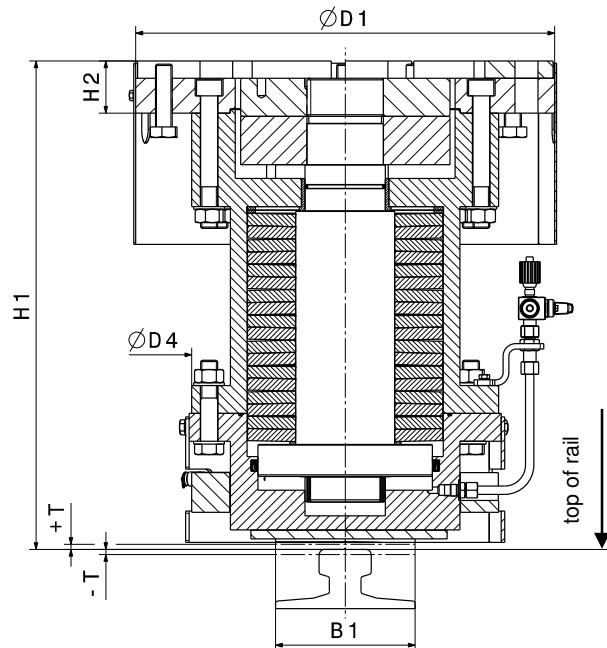
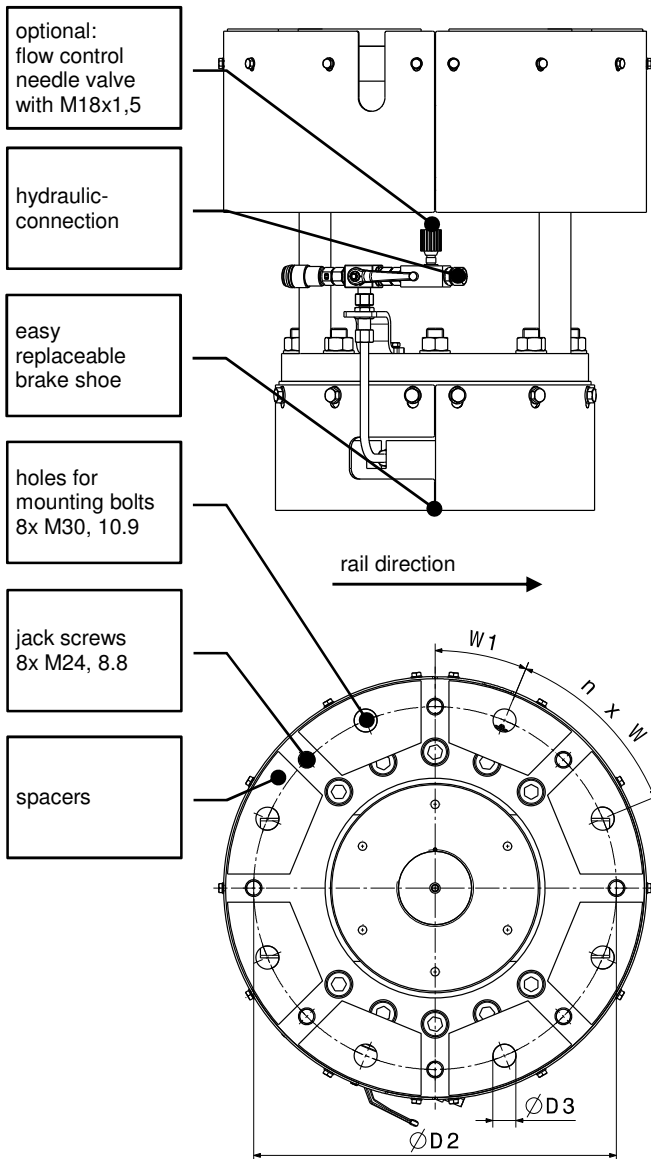
we recommend: SIBRE-hydraulic power pack V3.D \*) for RPS 450  
with electronic control box acc. data sheet M 1501 264 E

\*) max. 4 brakes per power pack  
dimensional drawings upon request

type	H1 mm	H2 mm	B1 mm	+T mm	-T mm	D1 mm	D2 mm	D3 mm	D4 mm	W1	n x W
RPS 450	700	74,5	200	+7,5	-7,5	550	500	27	457	-	8 x 45°

type	holding force	holding force at max. rail tolerance		release pressure	max. operating pressure	hydraulic-connection	weight
		+T	-T				
RPS 450	225 kN	299 kN	148 kN	145 bar	175 bar	1/2"	670 kg

**Storm Protection RPS 610**



**Hydraulic Data**

medium: HLP-Hydraulic oil DIN 51524-T2  
HLP Synth 32 standard

temperature range: (-15°C.....+40°C)

we recommend: SIBRE-hydraulic power pack V3.C \*) for RPS 610 with electronic control box acc. data sheet M 1501 264 E

\*) max. 4 brakes per power pack  
dimensional drawings upon request

type	H1 mm	H2 mm	B1 mm	+T mm	-T mm	D1 mm	D2 mm	D3 mm	D4 mm	W1	n x W
RPS 610	700	74,5	200	+7,5	-7,5	600	520	33	457	22,5°	8 x 45°

type	holding force	holding force at max. rail tolerance		release pressure	max. operating pressure	hydraulic-connection	weight
		+T	-T				
RPS 610	275 kN	346 kN	200 kN	165 bar	205 bar	1/2"	690 kg